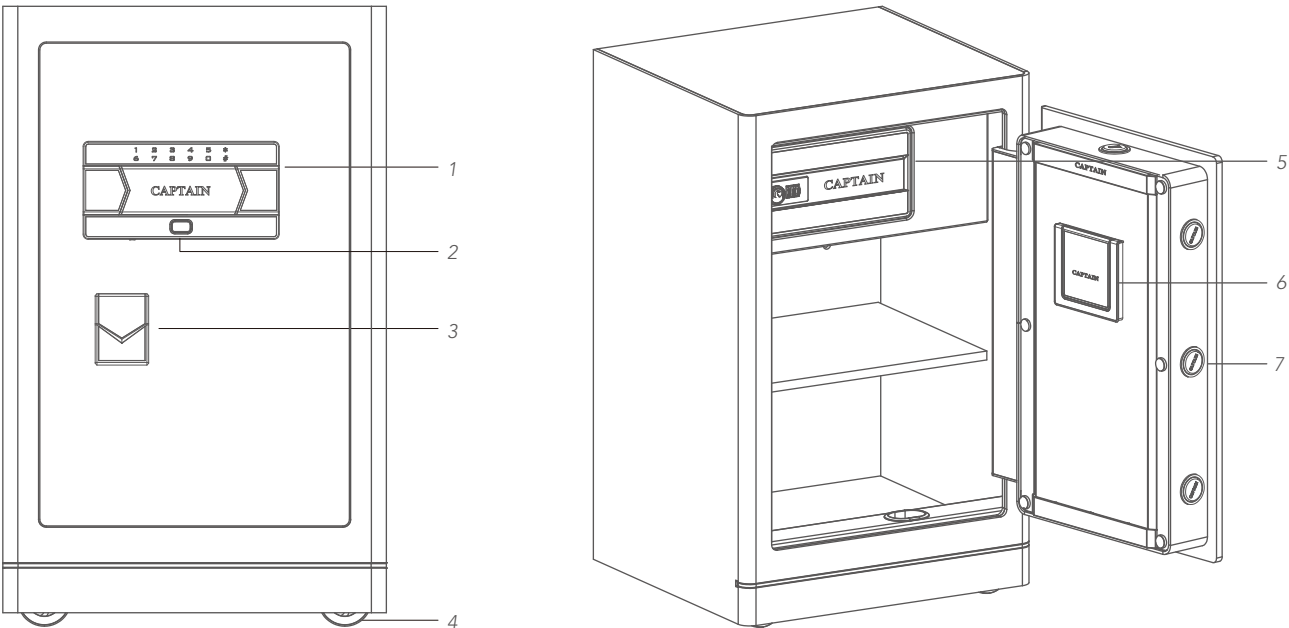


CAPTAIN

Part Name



- 1. Electronic fingerprint panel
- 2. Panel Slide Cover Button
- 3. Idle handle
- 4. Roller
- 5. Password inner door
- 6. Built-in battery box
- 7. Chrome plated bolt

Function

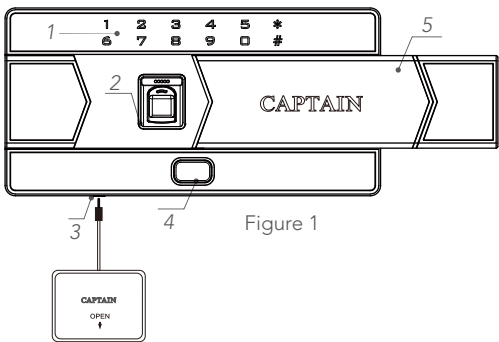


Figure 1

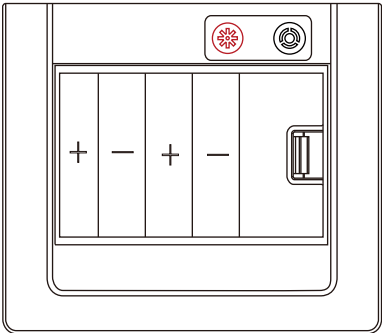


Figure 2

⊕ Setting Key ⊖ Mode Key

- 1. Touch Digital Screen
- 2. Fingerprint window
- 3. Power Interface
- 4. Panel Slide Cover Switch
- 5. Slide cover

CAPTAIN

■ **First Use (Initial Password: 1234)**

Insert 4 AA batteries in the external power box and insert the power box into the power connector on the bottom of the panel. (Figure 1)

Slightly press the switch on the panel of slider, or slightly press the screen to start the password window (Figure 1). Input any fingerprint or the initial password "1234" and press the key "#" to confirm. The voice prompts "please configure fingerprint /password and lock open", turn the handle rightward and pull the door open. Open the internal power supply box and load four size AA batteries (Figure 2) to finish the initial operation.

■ **Registration Key (Fingerprint/Password)**

Press the red set key, the voice prompts " Please enter the key ". Input fingerprint in the fingerprint window, and voice prompts "fingerprint configuration is successful." If the configuration fails, it prompts "fingerprint is invalid". If no configuration is set in 5 seconds, the system will exit automatically. Configuration of total 30 fingerprints is supported.

Press the red set key, the voice prompts " Please enter the key ". Enter a 3-8 digit password, and press the key "#" to confirm. Voice prompts "Please enter the password again" , and confirm the password again, press the key "#" to confirm, and voice prompt "password configuration is successful."

■ **Delete the Key (Fingerprint/Password)**

Hold down the red set key, voice prompts "Initialization successful", then delete all configured secret keys (fingerprints, passwords)

■ **High Security Mode**

Press the black set key to set the high-security mode switch. Start the high-security mode and voice prompts " Entered/cancelled security mode ". Two random groups of configured fingerprints or passwords including one group of password and one group of fingerprint are required to open. In normal mode, any one group of password or fingerprint can be used to open.

■ **Vibration Alarm**

Hold down the black set key to switch between alarm ON/OFF. The system tweeter gives a long sound and vibration alarm is on. The system tweeter gives three clicks, and vibration alarm is off.

When the system detects a certain intensity of shock, vibration alarm system will start up. The tweeter alarms for 20 seconds, alarm status continues 60 seconds. Enter any registered fingerprint or password to release the alarm.

■ **VFalse Alarm**

For three consecutive errors of input of secret key (fingerprint, password), the system starts error alarm. All indicator lights flash , and the tweeter alarms for 20 seconds. No operation can be done in the error alarm state.

■ **Low Pressure Alarm**

When the system detects that the power supply is less than 4.8V, the system will start the low voltage alarm automatically. A voice prompts "Low voltage, please replace the battery" in the course of opening or closing the door. Please replace the battery promptly.